

DOWNLIGHT enl-DL615



The DL615 is a sleek yet robust IP65 Surface Mounted LED Downlight designed with different sizing options to suit your projects specific requirements.

FEATURES

- **IP65** - Weather protection

OPTIONS

- **Multiple power options**
- **Multiple optics (beam angles)**
- **Colour options** - White or Black



DOWNLIGHT enl-DL615

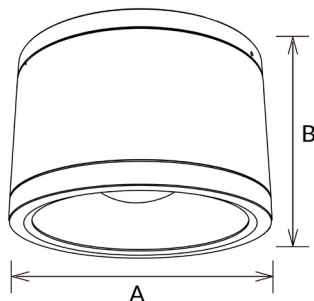


PRODUCT RANGE

Model #	Rated Power (W)	Luminous Flux (lm)	Dimensions(mm)	Weight (kg)
enl-DL615-10-8yy-zz-c	10	850	(A) 90 x (B) 107	0.6
enl-DL615-15-8yy-zz-c	15	1300		
enl-DL615-18-8yy-zz-c	18	1600	(A) 130 x (B) 115	0.9
enl-DL615-25-8yy-zz-c	25	2100		
enl-DL615-25-8yy-zz-c-S	25	2500	(A) 160 x (B) 110	1.2
enl-DL615-30-8yy-zz-c	30			
enl-DL615-25-8yy-zz-c-M	25	3000	(A) 214 x (B) 119	2.2
enl-DL615-35-8yy-zz-c	35			
enl-DL615-35-8yy-zz-c-L	35	3150	(A) 250 x (B) 125	2.8
enl-DL615-40-8yy-zz-c	40	3700		
enl-DL615-45-8yy-zz-c	45	4000		

yy stands for CCT. Use 27 for 2700K, 30 for 3000K, 40 for 4000K
 zz stands for Beam Angle. Use 24, 36, 60 for beam angle.
 c stands for Fixture Colour. Use W for White and B for Black.

DIMENSIONS



COMPLIANCE

The enl-DL615 meets all relevant standards and regulatory requirements.



TECHNICAL INFORMATION

Optical

Light source	LED
CRI	Ra>80
Beam Angle	24°, 36°, 60°
CCT	2700K, 3000K, 4000K

Electrical

Power consumption	10W - 45W
Operating voltage & frequency	220-240 VAC , 50/60 Hz
Power factor	>0.9

Environmental

IP rating	IP65
IK rating	IK06
Ambient temperature range	-20°C to + 40°C
Material Composition (body)	Aluminium Die-casting
Fixture Colour	White (RAL9016) / Black (RAL9005)
Expected Lifespan	>54,000hrs @L70
Warranty*	5 years

Data subject to change without notice
 * Refer to warranty policy