

# WALL LIGHT enl-WL930



With IP65 weather protection, the WL930 LED Wall Light is an excellent choice for an outdoor wall light. Offering both up/down or down only options, its aluminium housing allows for great thermal management & robustness. Suitable for a range of applications where a decorated outdoor light is required, such as strata or commercial buildings.

## FEATURES

- Aluminium housing for thermal management
- Efficacy up to 110lm/W
- IP65 - Weather protection

## OPTIONS

- Colour - Black or White
- Size options available
- Beam angle options available
- Down or Up/Down light available



# WALL LIGHT enl-WL930

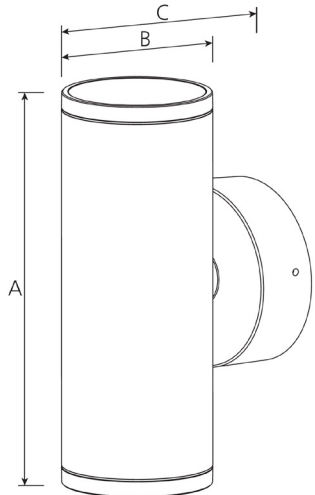


## PRODUCT RANGE

Model #	Rated Power (W)	Light Throw	Luminous Flux (lm)	Dimensions(mm)	Weight (kg)
enl-WL930-10-8yy-zz-UD-c	2x5	Up/Down	700-825	170(A) x 60(B) x 105(C)	0.6
enl-WL930-10-8yy-zz-D-c	1x10	Down		200(A) x 76(B) x 121(C)	0.9
enl-WL930-20-8yy-zz-UD-c	2x10	Up/Down	2000-2100		230(A) x 100(B) x 145(C)
enl-WL930-27-8yy-zz-UD-c	2x13.5	Up/Down	2800-3050		

yy stands for CCT. Use 27 for 2700K, 30 for 3000K, 40 for 4000K.  
 zz stands for Beam Angle. Use 15, 24, 36\*, 60 for beam angle. \*36 not available for 2x5W  
 c stands for Fixture Colour. Use W for white and B for black

## DIMENSIONS



## COMPLIANCE

The enl-WL930 meets all relevant standards and regulatory requirements.



## TECHNICAL INFORMATION

### Optical

Light source	LED
CRI	Ra>80
Beam Angle	15°, 24°, 36°, 60°
CCT	2700K, 3000K, 4000K
Luminaire efficacy	Up to 110lm/W

### Electrical

Power consumption (W)	5 - 27
Operating voltage & frequency	100-240 VAC , 50/60 Hz
Power factor	>0.9

### Environmental

IP rating	IP65
Ambient temperature range	-20°C to + 40°C
Material Composition (body)	6063 Aluminium
Fixture Colour	White (RAL9016) / Black (RAL9005)

**Expected Lifespan** >54,000hrs @L70

**Warranty\*** 5 years

Data subject to change without notice  
 \* Refer to warranty policy