

# DOWNLIGHT enI-DL200



The DL200 is a 90mm cutout downlight, ideal for office meeting rooms, foyers, waiting rooms, and retail spaces that require a customised lighting environment. It offers multiple control options to accommodate the varying needs of both retrofit and new installations.

## FEATURES

- 90mm cutout
- High CRI >90
- DALI-2 DT8 Tunable White or wireless control
- Supplied with a 1.2m Flex and Plug
- Tunable white 2700K-6500K



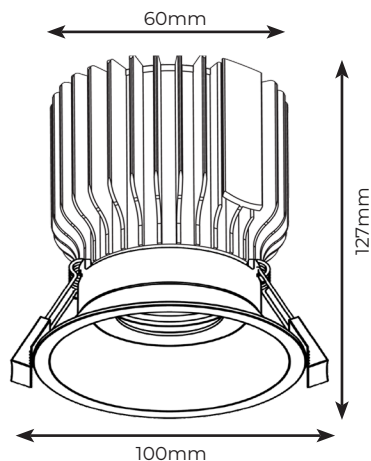
# DOWNLIGHT enI-DL200

## PRODUCT RANGE

Model #	Rated Power (W)	Luminous Flux (lm)	Cutout (mm)	Weight (kg)
enI-DL200-18-9TW-60-DALI	18	1020-1460	Ø90-95	0.32
enI-DL200-18-9TW-60-CAS				
enI-DL200-18-9TW-60-KM				

DALI is DALI-2 DT8, CAS & KM are Wireless Controls

## DIMENSIONS



## TECHNICAL INFORMATION

### Optical

Light source	LED
CRI	Ra>90
Beam Angle	60°
CCT	2700K-6500K

### Electrical

Power consumption	18W
Operating voltage & frequency	220-240 VAC , 50/60 Hz
Power factor	>0.9

### Environmental

IP rating	IP20
Ambient temperature range	-20°C to + 40°C
Material Composition (body)	PMMA / Aluminium
Fixture Colour	White (RAL9016)

<b>Expected Lifespan</b>	>54,000hrs @L70
--------------------------	-----------------

<b>Controls</b>	DALI-2 DT8 or Wireless Controls
-----------------	---------------------------------

<b>Warranty*</b>	5 years
------------------	---------

Data subject to change without notice  
\* Refer to warranty policy

## COMPLIANCE

The enI-DL200 meets all relevant standards and regulatory requirements.

