

# BATTEN LIGHT enl-BT240



The BT240 is an IP20 batten suitable for indoor areas that require high performing stylish batten.

## FEATURES

- Efficacy of 170lm/w
- Wider base - reduces makegood

## OPTIONS

- Sizing Options - 600mm or 1200mm
- Microwave Sensor



# BATTEN LIGHT enl-BT240

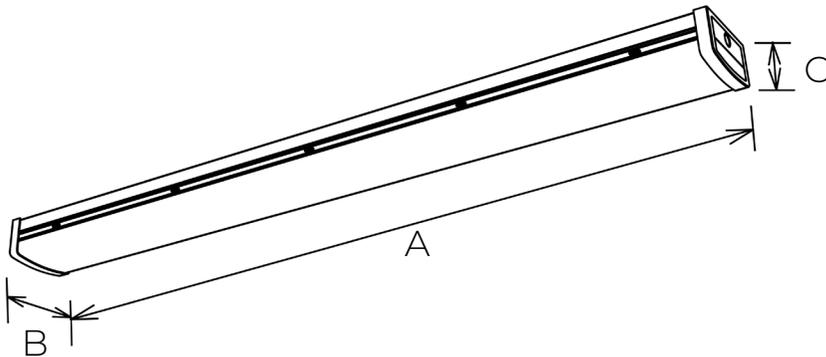


## PRODUCT RANGE

Model #	Description	Rated Power (W)		Luminous Flux (lm)	Dimensions(mm)
		Full Light	Standby		
enl-BT240-16-8yy-600	600mm 16W	16	N/A	2550	600(A) x 124(B) x 68(C)
enl-BT240-16-8yy-600-S	600mm 16W w/ MW Sensor		5		
enl-BT240-16-8yy-1200	1200mm 16W	16	N/A	2570	1200(A) x 124(B) x 68(C)
enl-BT240-16-8yy-1200-S	1200mm 16W w/ MW Sensor		5		
enl-BT240-28-8yy-1200	1200mm 28W	28	N/A	4480	1200(A) x 124(B) x 68(C)
enl-BT240-28-8yy-1200-S	1200mm 28W w/ MW Sensor		6		

yy stands for CCT. Use 30 for 3000K, 40 for 4000K, 50 for 5000K.

## DIMENSIONS



## TECHNICAL INFORMATION

### Optical

Light source	LED
CRI	Ra>80, Ra>90 optional
Beam Angle	120°
CCT	3000K, 4000K, 5000K
Luminaire efficacy	Up to 170lm/W

### Electrical

Power consumption	16W or 28W
Operating voltage & frequency	200-240 VAC , 50/60 Hz
Power factor	>0.9

### Environmental

IP rating	IP20
IK rating	IK06
Weight	600mm - 1.5kg, 1200mm - 2.9kg
Ambient temperature range	-20°C to + 45°C
Material Composition (body)	Powder coated sheet metal

Fixture Colour	White
----------------	-------

<b>Expected Lifespan</b>	>54,000hrs @L70
--------------------------	-----------------

<b>Controls - Optional</b>	Microwave Sensor
----------------------------	------------------

<b>Warranty*</b>	5 years
------------------	---------

Data subject to change without notice  
\* Refer to warranty policy

## COMPLIANCE

The enl-BT240 meets all relevant standards and regulatory requirements.



[www.enlighten.com.au](http://www.enlighten.com.au) | 1800 365 444



Ver 3

enLighten Australia Pty Ltd  
3/12 Frederick St, St Leonards, NSW 2065