

# BOLLARD enl-BD640



Using an asymmetrical lens, the BD640 LED Bollard delivers a layering of indirect and soft light. Perfect for townhouses, hotels, restaurants as well as general landscaped areas.

## FEATURES

- **IP65** - Weather protection
- **IK08** - Impact resistance
- **Asymmetric forward throw optic** enables wider coverage

## OPTIONS

- **Colour** - Black or White
- **Height** - 500mm or 1000mm

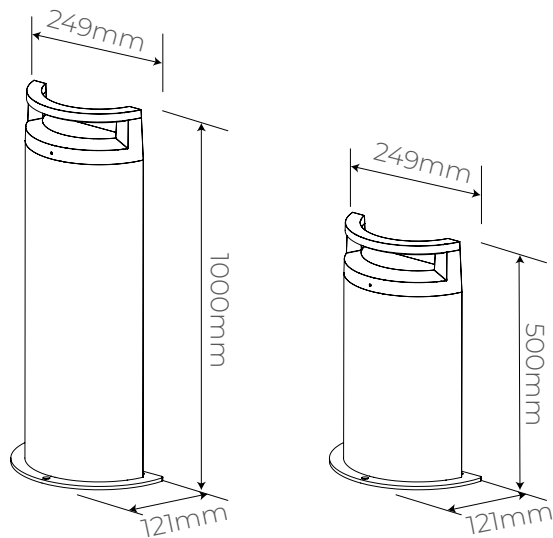


## PRODUCT RANGE

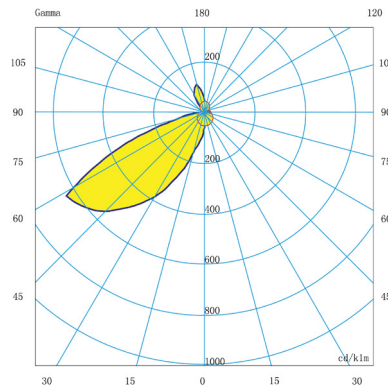
Model #	Rated Power (W)	Luminous Flux (lm)	Dimensions (mm)	Weight (kg)
enl-BD640-8yy-500-c	10	500-510	249 x 121 x 500	2.7
enl-BD640-8yy-1000-c			249 x 121 x 1000	4.6

yy stands for CCT. Use 30 for 3000K, 40 for 4000K.  
c stands for Fixture Colour. Use B for black or W for white

## DIMENSIONS



## PHOTOMETRICS



## TECHNICAL INFORMATION

### Optical

Light source	LED
CRI	Ra>80
Beam Angle	Asymmetrical 50°
CCT	3000K, 4000K

### Electrical

Power consumption (W)	10
Operating voltage & frequency	200-240 VAC , 50/60Hz
Power factor	>0.90
Surge protection	1kV line-line

### Environmental

IP rating	IP65
Impact rating	IK08
Ambient temperature range	-25°C to + 45°C
Material Composition (body)	Aluminium alloy:
Fixture Colour	Black (RAL9005) or White (RAL9016)

**LED Lifespan** >54,000hrs @L70

**Warranty\*** 5 years

Data subject to change without notice  
\* Refer to warranty policy

## COMPLIANCE

The enl-BD640 meets all relevant standards and regulatory requirements.

