

HIGH-POWERED FLOODLIGHT enI-SF257



The SF257 is an purpose designed LED High-Powered Floodlight capable of lighting up all sports applications from recreational to professional level.

FEATURES

- Efficacy up to 145 lm/W
- Full cut-off asymmetric optics
- IP66 & IK08 robust design
- Corrosion resistant with 1500 hours salt spray test & C5 (ISO 9223)
- Up to 50m cable length between driver and fitting
- 200-420VAC wide input range

OPTIONS

- Multiple power options from 600W to 1800W
- DALI 2 Dimming
- CRI 90 for televised sports



SPORTS
FIELDS



SPORTS
COURTS



BUILDING
PERIMETERS



LOADING
DOCKS



INDUSTRIAL
ESTATES



AIRPORTS



HIGH-POWERED FLOODLIGHT enl-SF257



PRODUCT RANGE

Model #	Rated Power (W)	Luminous Flux (lm)	Dimensions (mm)	Weight (kg)	
				Lamp Body	Driver Box
enl-SF257-600-xyy-zz	600	86000	655x266x257	11.5	5.0
enl-SF257-600-xyy-zz-D					
enl-SF257-750-xyy-zz	750	103000	655x266x257	11.5	
enl-SF257-750-xyy-zz-D					
enl-SF257-1200-xyy-zz	1200	172000	663x462x347	23.6	6.0
enl-SF257-1200-xyy-zz-D					
enl-SF257-1500-xyy-zz	1500	206000	663x462x347	23.6	
enl-SF257-1500-xyy-zz-D					
enl-SF257-1800-xyy-zz	1800	260000	663x685x347	31.9	
enl-SF257-1800-xyy-zz-D					

x stands for CRI. Use 7 for Ra>70, 8 for Ra>80 or 9 for Ra>90
 yy stands for CCT. Use 30 for 3000K, 40 for 4000K, 57 for 5700K.
 zz stands for Beam Angle. Use A56W for wide or A56M for medium asymmetric beams.
 D stands for DALI Dimmable.
 Add -BP at the end of Model # for cable protection between driver and fitting

LUMINAIRE WINDAGE (SCX)

600W/750W	1200W/1500W	1800W
0.04m ² at 0° / 0.07m ² at 15° 0.1m ² at 30° / 0.12m ² at 45° 0.14m ² at 60°	0.04m ² at 0° / 0.11m ² at 15° 0.18m ² at 30° / 0.24m ² at 45° 0.28m ² at 60°	0.04m ² at 0° / 0.15m ² at 15° 0.26m ² at 30° / 0.35m ² at 45° 0.42m ² at 60°

TECHNICAL INFORMATION

Optical

Light source	OSRAM LED
CRI	Ra>70, Ra>80, Ra>90
CCT	3000K, 4000K, 5700K
Luminaire efficacy	Up to 145lm/W

Electrical

Power consumption	600W - 1800W
Operating voltage & frequency	200-420VAC, 50/60 Hz
Driver & voltage range	Inventronics, 176-500Vdc
Power factor	> 0.97
Flicker	< 1%

Environmental

IP rating	IP66
IK rating	IK08
Ambient temperature range	600W, 1200W, 1800W : -30°C to +50°C 750W, 1500W : -30°C to +40°C
Material Composition (body)	Aluminium alloy
Material Composition (bracket)	SPCC
Material Composition (diffuser)	PC Lens + Tempered glass
Corrosion Category	C5 (ISO 9223:2012) + 1500 hours salt spray test

LED Lifespan	>100,000hrs @L80
Warranty*	5 years

COMPLIANCE

The enl-SF257 meets all relevant standards and regulatory requirements.



Data subject to change without notice
 * Refer to warranty policy

www.enlighten.com.au | 1800 365 444



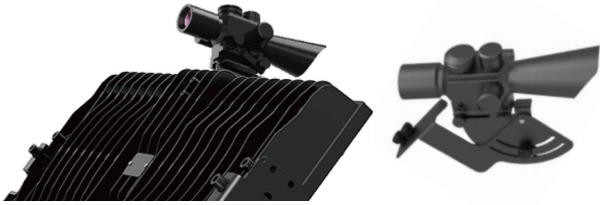
Ver 7

enLighten Australia Pty Ltd
 3/12 Frederick St, St Leonards, NSW 2065

HIGH-POWERED FLOODLIGHT enl-SF257

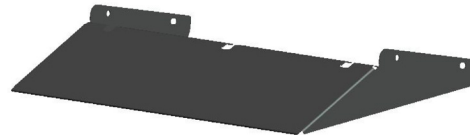


ACCESSORIES



Aiming Device (Code : enl-SF-AD)

Helps position and adjust the fitting to ensure accurate illumination



Visors (Code : enl-SF257-VI)

Helps control and manage light spillage



Cable Protective Sleeve (Code : enl-SF-CP)

Protects wiring from birds

DRIVER FEATURES

- IP65
- IK08
- -40°C - +80°C
- Non-Isolated Class I Inventronics Driver
- No Afterglow
- Dim-to-Off with Standby Power $\leq 0.5W$ @ 230Vac
- Dimming Range: 0.1%-100%
- Max Remote Distance Up to 50 Meters (Dimming and Output)
- Ultra High Efficiency (Up to 97%)
- Full Power at Wide Output Current Range (Constant Power)

- DALI-2 and D4i Certified & DMX-RDM & 3-Timer-Modes Dimmable
- DALI-2/DMX-RDM Controls up to 44 fps
- Integrated Power Metering with High Accuracy up to $\pm 1\%$
- Low Inrush Current
- Input Surge Protection: DM 10kV, CM 10kV
- Input Over Voltage Protection, Input Under Voltage Protection, Over Voltage Protection, Short Circuit Protection, Over Temperature Protection, Over Power Protection



COMPLIANCE

The enl-SF257 meets all relevant standards and regulatory requirements.

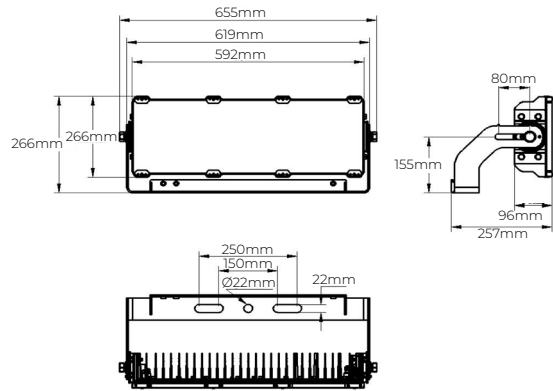


HIGH-POWERED FLOODLIGHT enI-SF257

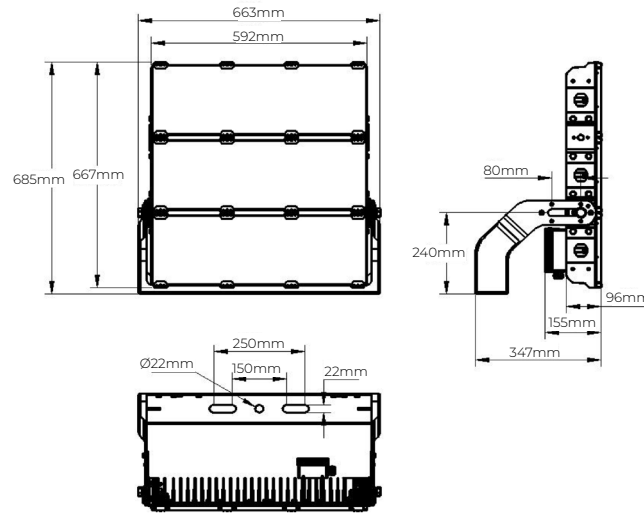


FITTING DIMENSIONS

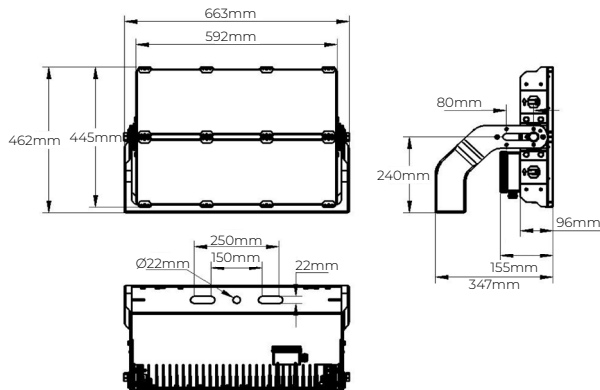
600W/750W



1800W

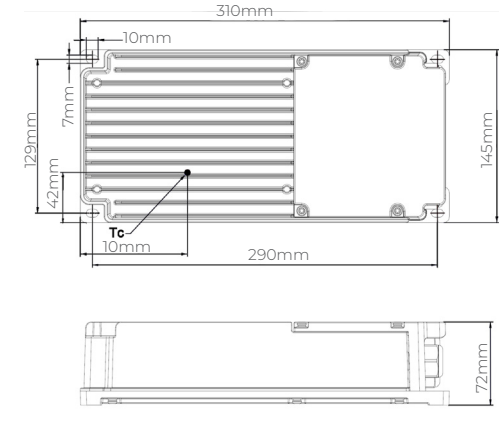


1200W/1500W

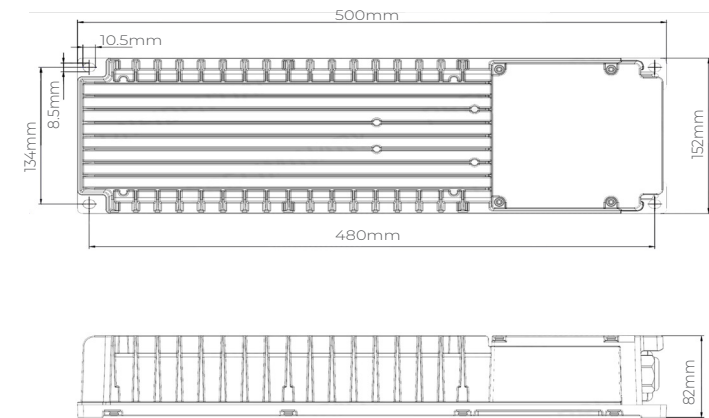


DRIVER DIMENSIONS

600W/750W



1200W/1500W/1800W



COMPLIANCE

The enI-SF257 meets all relevant standards and regulatory requirements.



www.enlighten.com.au | 1800 365 444



Ver 7

enLighten Australia Pty Ltd
3/12 Frederick St, St Leonards, NSW 2065