

FULMEN SERIES

High-Powered Floodlight enl-SF257



The SF257 is a purpose-designed LED high-powered floodlight capable of lighting up large spaces, including sports applications from recreational to professional level. Designs are compliant with Australian Standards in accordance with the activity, i.e., the type of sport being played.

It incorporates a high-efficiency driver specifically designed for this light, with DALI-2 dimming capability included as standard.

FEATURES

- Efficacy up to 145 lm/W
- Full cut-off asymmetric optics
- IP66 & IK08 robust design
- Corrosion resistant with 1500 hours salt spray test & C5 (ISO 9223)
- Up to 50m cable length between driver and fitting
- 200-420VAC wide input range
- DALI-2 Dimming
- Bird proof cable included in pricing for all projects

OPTIONS

- Multiple power options from 600W to 1800W
- Driver can be mounted on the luminaire or up to 300m remotely



SPORTS
FIELDS



SPORTS
COURTS



BUILDING
PERIMETERS



LOADING
DOCKS



INDUSTRIAL
ESTATES



AIRPORTS



DALI-2 Dimming unavailable
for 750W / 1500W

www.enlighten.com.au | 1800 365 444

Ver 12

enLighten Australia Pty Ltd
3/12 Frederick St, St Leonards, NSW 2065



FULMEN SERIES

High-Powered Floodlight enl-SF257



PRODUCT RANGE

Model #	Rated Power (W)	Luminous Flux (lm)	Dimensions (mm)	Weight (kg)	
				Lamp Body	Driver Box
enl-SF257-600-xyy-zz	600	86000	655x266x257	11.5	5.0
enl-SF257-750-xyy-zz	750	103000			
enl-SF257-1200-xyy-zz	1200	172000	663x462x347	23.6	6.0
enl-SF257-1500-xyy-zz	1500	206000			
enl-SF257-1800-xyy-zz	1800	260000	663x685x347	31.9	

x stands for CRI. Use 7 for Ra>70, 8 for Ra>80 or 9 for Ra>90

yy stands for CCT. Use 30 for 3000K, 40 for 4000K, 57 for 5700K.

zz stands for Beam Angle. Use A56W for wide or A56M for medium asymmetric beams.

Add -BP at the end of Model # for cable protection between driver and fitting

LUMINAIRE WINDAGE (SCX)

600W/750W	1200W/1500W	1800W
0.04m ² at 0° / 0.07m ² at 15° 0.1m ² at 30° / 0.12m ² at 45° 0.14m ² at 60°	0.04m ² at 0° / 0.11m ² at 15° 0.18m ² at 30° / 0.24m ² at 45° 0.28m ² at 60°	0.04m ² at 0° / 0.15m ² at 15° 0.26m ² at 30° / 0.35m ² at 45° 0.42m ² at 60°

TECHNICAL INFORMATION

Optical

Light source	OSRAM LED
CRI	Ra>70, Ra>80, Ra>90
CCT	3000K, 4000K, 5700K
Luminaire efficacy	Up to 145lm/W

Electrical

Power consumption	600W - 1800W
Operating voltage & frequency	200-420VAC, 50/60 Hz
Driver & voltage range	Inventronics, 176-500Vdc
Power factor	> 0.97
Flicker	< 1%

Environmental

IP rating	IP66
IK rating	IK08
Ambient temperature range	600W, 1200W, 1800W : -30°C to +50°C 750W, 1500W : -30°C to +40°C
Material Composition (body)	Aluminium alloy
Material Composition (bracket)	SPCC
Material Composition (diffuser)	PC Lens + Tempered glass
Corrosion Category	C5 (ISO 9223:2012) + 1500 hours salt spray test

LED Lifespan >100,000hrs @L80

Controls DALI-2 Dimming

Warranty* 5 years

Data subject to change without notice
* Refer to warranty policy

COMPLIANCE

The enl-SF257 meets all relevant standards and regulatory requirements.



www.enlighten.com.au | 1800 365 444



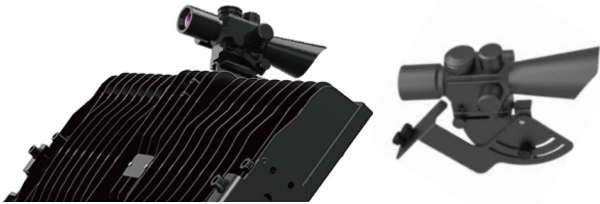
Ver 12

enLighten Australia Pty Ltd
3/12 Frederick St, St Leonards, NSW 2065

FULMEN SERIES

High-Powered Floodlight enl-SF257

ACCESSORIES



Aiming Device (Code : enl-SF-AD)

Helps position and adjust the fitting to ensure accurate illumination



Visors (Code : enl-SF257-VI)

Helps control and manage light spillage

DRIVER FEATURES

- IP65
- IK08
- -40°C - +80°C
- Non-isolated class I Inventronics Driver
- No afterglow
- Dim-to-off with standby power $\leq 0.5W$ @ 230Vac
- Dimming range: 0.1%-100%
- Max remote distance up to 300 metres (Dimming and Output)
- Ultra high efficiency (Up to 97%)
- Full power at wide output current range (Constant Power)
- DALI-2 and D4i Certified & DMX-RDM & 3-timer-modes dimmable
- DALI-2/DMX-RDM Controls up to 44 fps
- Integrated power metering with high accuracy up to $\pm 1\%$
- Low inrush current
- Input surge protection: DM 10kV, CM 10kV
- Input over voltage protection, input under voltage protection, over voltage protection, short circuit protection, over temperature protection, over power protection



COMPLIANCE

The enl-SF257 meets all relevant standards and regulatory requirements.

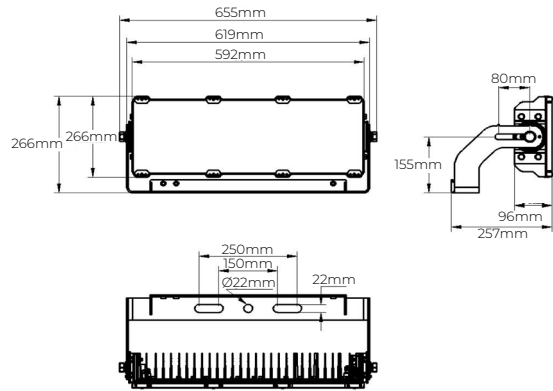


FULMEN SERIES

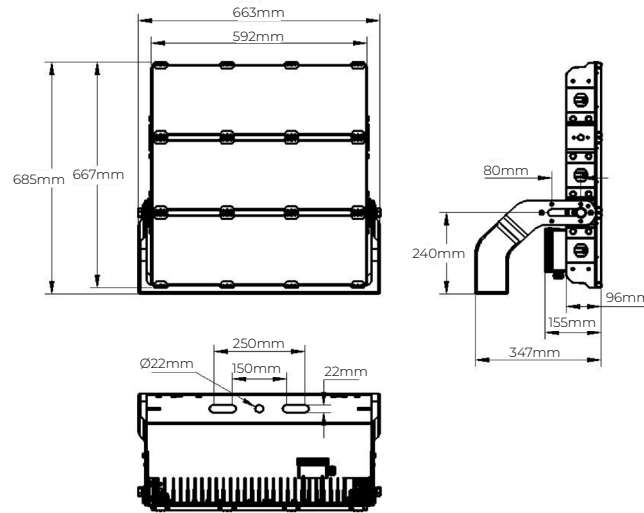
High-Powered Floodlight enl-SF257

FITTING DIMENSIONS

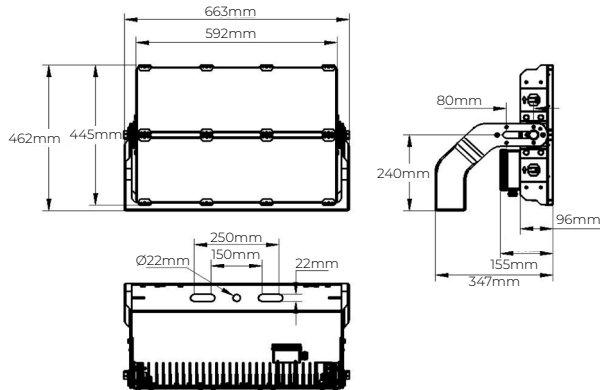
600W/750W



1800W



1200W/1500W



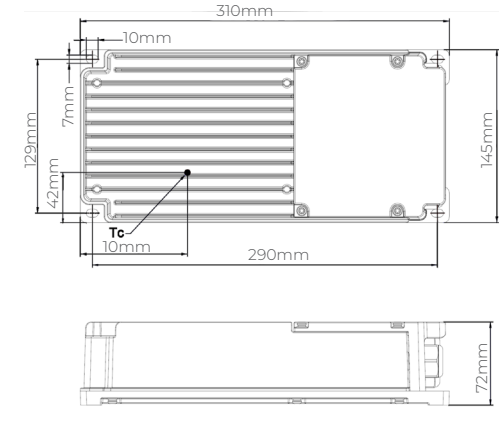
COMPLIANCE

The enl-SF257 meets all relevant standards and regulatory requirements.



DRIVER DIMENSIONS

600W/750W



1200W/1500W/1800W

