

SPORTS FLOODLIGHT enI-SF257



The SF257 is an purposely designed LED Sports Floodlight capable of lighting up all sports applications from recreational to professional level.

FEATURES

- Efficacy up to 145 lm/W
- Full cut-off asymmetric optics
- IP66 & IK08 robust design
- Corrosion resistant with 1500 hours salt spray test & C5 (ISO 9223)
- Up to 50m cable length between driver and fitting
- 200-420VAC wide input range

OPTIONS

- Multiple power options from 600W to 1800W
- DALI, DMX Control
- CRI 90 for televised sports



SPORTS FLOODLIGHT enI-SF257



PRODUCT RANGE

Model #	Rated Power (W)	Luminous Flux (lm)	Dimensions (mm)	Weight (kg)	
				Lamp Body	Driver Box
enI-SF257-600-xyy-zz	600	86000	655x266x257	11.5	4.0
enI-SF257-600-xyy-zz-D					
enI-SF257-750-xyy-zz	750	103000			
enI-SF257-750-xyy-zz-D					
enI-SF257-1200-xyy-zz	1200	172000	663x462x347	23.6	6.0
enI-SF257-1200-xyy-zz-D					
enI-SF257-1500-xyy-zz	1500	206000			
enI-SF257-1500-xyy-zz-D					
enI-SF257-1800-xyy-zz	1800	260000	663x685x347	31.9	
enI-SF257-1800-xyy-zz-D					

x stands for CRI. Use 7 for Ra>70, 8 for Ra>80 or 9 for Ra>90
 yy stands for CCT. Use 30 for 3000K, 40 for 4000K, 57 for 5700K.
 zz stands for Beam Angle. Use A56W for wide & A56M for medium asymmetric beams.
 D stands for DALI Dimmable.
 Add -BP at the end of Model # for cable protection between driver and fitting

LUMINAIRE WINDAGE (SCX)

600W/750W	1200W/1500W	1800W
0.04m ² at 0° / 0.07m ² at 15° 0.1m ² at 30° / 0.12m ² at 45° 0.14m ² at 60°	0.04m ² at 0° / 0.11m ² at 15° 0.18m ² at 30° / 0.24m ² at 45° 0.28m ² at 60°	0.04m ² at 0° / 0.15m ² at 15° 0.26m ² at 30° / 0.35m ² at 45° 0.42m ² at 60°

COMPLIANCE

The enI-SF257 meets all relevant standards and regulatory requirements.



www.enlighten.com.au | 1800 365 444



TECHNICAL INFORMATION

Optical

Light source	OSRAM LED
CRI	Ra>70, Ra>80, Ra>90
CCT	3000K, 4000K, 5700K
Luminaire efficacy	Up to 145lm/W

Electrical

Power consumption	600W - 1800W
Operating voltage & frequency	200-420VAC, 50/60 Hz
Driver	Inventronics
Power factor	> 0.97
Flicker	< 1%
Surge protection	20 kV (line-earth)

Environmental

IP rating	IP66
IK rating	IK08
Ambient temperature range	600W, 1200W, 1800W : -30°C to +50°C 750W, 1500W : -30°C to +40°C
Material Composition (body)	Aluminium alloy
Material Composition (bracket)	SPCC
Material Composition (diffuser)	PC Lens + Tempered glass
Corrosion Category	C5 (ISO 9223:2012) + 1500 hours salt spray test

LED Lifespan

>100,000hrs @L80

Warranty*

5 years

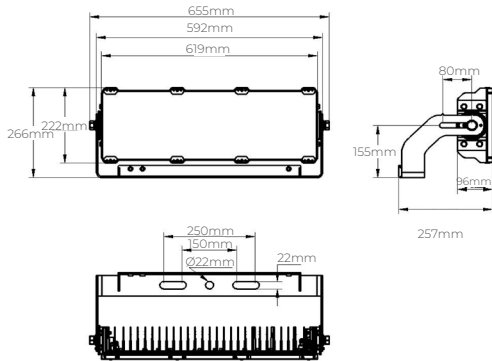
Data subject to change without notice
 * Refer to warranty policy

SPORTS FLOODLIGHT enI-SF257

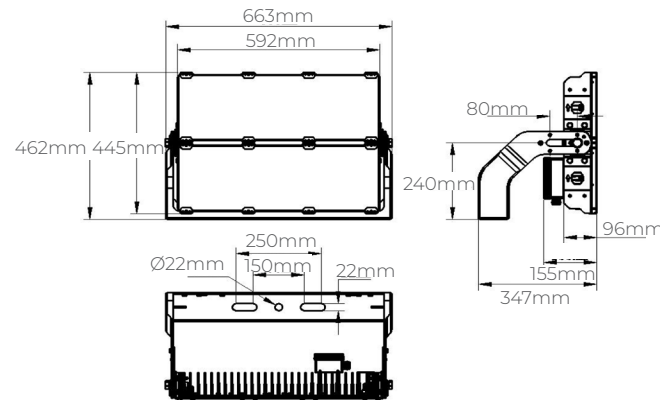


DIMENSIONS

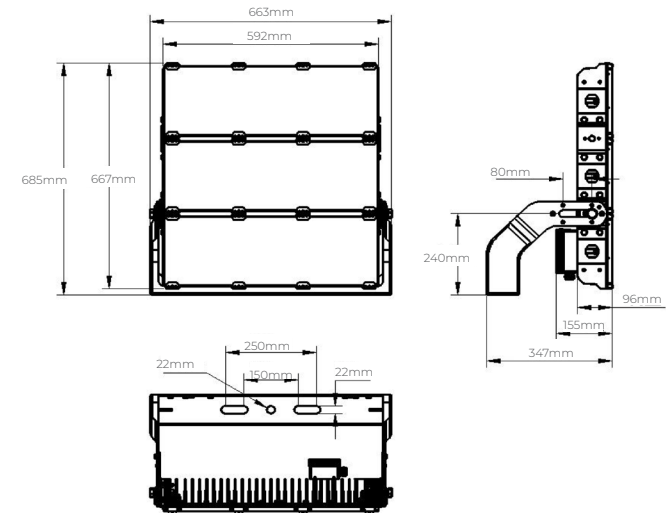
600W/750W



1200W/1500W



1800W



ACCESSORIES

Name	Item	Part Number	Description
Aiming Device		enI-SF257-AD	Accurate adjustment of luminaire projected position.
Front Visor		enI-SF257-FV	Use 1 for 600/750W 2 for 1200/1500W 3 for 1800W
Clamp Mount Bracket		enI-SF257-CMB	Allows driver to be clamped to pole 50mm from fitting

COMPLIANCE

The enI-SF257 meets all relevant standards and regulatory requirements.



SPORTS FLOODLIGHT enI-SF257



DRIVER FEATURES

- Non-Isolated Class I Inventronics Driver
- No Afterglow
- Dim-to-Off with Standby Power $\leq 0.5W$ @ 230Vac
- Dimming Range: 0.1%-100%
- Max Remote Distance Up to 50 Meters (Dimming and Output)
- Ultra High Efficiency (Up to 97%)
- Full Power at Wide Output Current Range (Constant Power)
- Adjustable Output Current (AOC) with NFC
- DALI-2 and D4i Certified & DMX-RDM & 3-Timer-Modes Dimmable
- DALI-2/DMX-RDM Controls up to 44 fps
- Integrated Power Metering with High Accuracy up to $\pm 1\%$
- Low Inrush Current
- Input Surge Protection: DM 10kV, CM 10kV
- All-Around Protection: IOVP, IUVP, OVP, SCP, OTP, OPP



COMPLIANCE

The enI-SF257 meets all relevant standards and regulatory requirements.



www.enlighten.com.au | 1800 365 444



Ver 6

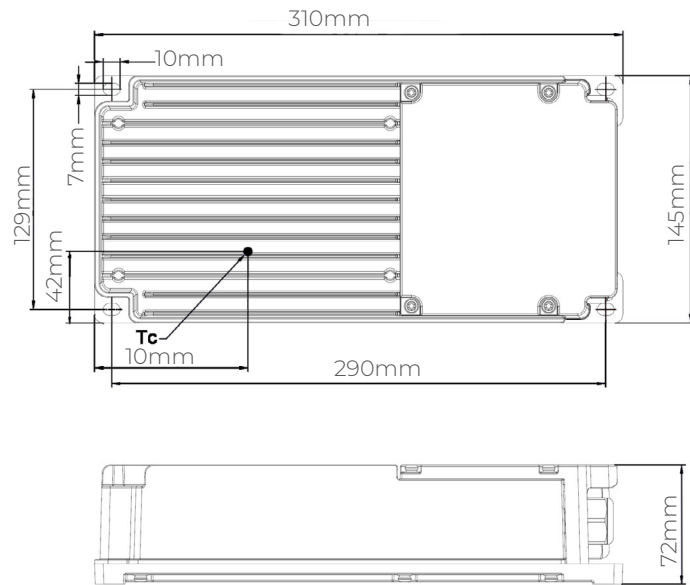
enLighten Australia Pty Ltd
3/12 Frederick St, St Leonards, NSW 2065

SPORTS FLOODLIGHT enI-SF257

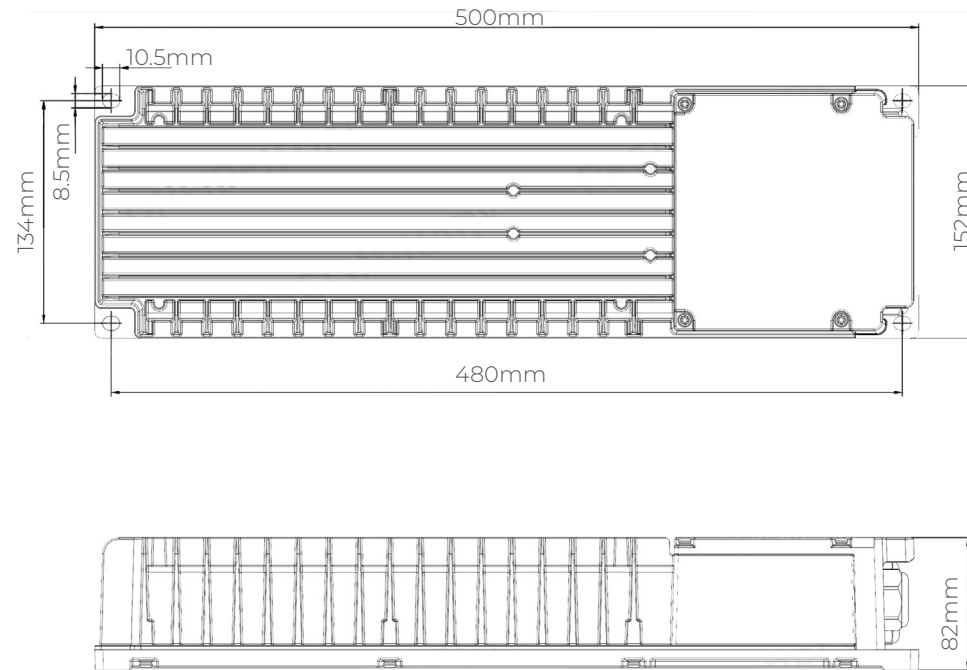


DIMENSIONS

600W/750W



1200W/1500W/1800W



COMPLIANCE

The enI-SF257 meets all relevant standards and regulatory requirements.



www.enlighten.com.au | 1800 365 444



Ver 6

enLighten Australia Pty Ltd
3/12 Frederick St, St Leonards, NSW 2065