

# SPORTS FLOODLIGHT enI-SF257



The SF257 is an purposely designed LED Sports Floodlight capable of lighting up all sports applications from recreational to professional level.

## FEATURES

- Efficacy up to 145 lm/W
- Full cut-off asymmetric optics
- IP66 & IK08 robust design
- Corrosion resistant with 1500 hours salt spray test & C5 (ISO 9223)

## OPTIONS

- Multiple power options from 600W to 1800W
- DALI, DMX Control
- CRI 90 for televised sports



# SPORTS FLOODLIGHT enl-SF257



## PRODUCT RANGE

Model #	Rated Power (W)	Luminous Flux (lm)	Dimensions (mm)	Weight (kg)	
				Lamp Body	Driver Box
enl-SF257-600-xyy-zz	600	86000	655x266x257	11.5	4.0
enl-SF257-750-xyy-zz	750	103000			
enl-SF257-1200-xyy-zz	1200	172000	663x462x347	23.6	
enl-SF257-1500-xyy-zz	1500	206000			
enl-SF257-1800-xyy-zz	1800	260000	663x685x347	31.9	6.0

x stands for CRI. Use 7 for Ra>70, 8 for Ra>80 or 9 for Ra>90  
 yy stands for CCT. Use 30 for 3000K, 40 for 4000K, 57 for 5700K.  
 zz stands for Beam Angle. Use A56W for wide & A56M for medium asymmetric beams.

## LUMINAIRE WINDAGE (SCX)

600W/750W	1200W/1500W	1800W
0.04m <sup>2</sup> at 0° / 0.07m <sup>2</sup> at 15° 0.1m <sup>2</sup> at 30° / 0.12m <sup>2</sup> at 45° 0.14m <sup>2</sup> at 60°	0.04m <sup>2</sup> at 0° / 0.11m <sup>2</sup> at 15° 0.18m <sup>2</sup> at 30° / 0.24m <sup>2</sup> at 45° 0.28m <sup>2</sup> at 60°	0.04m <sup>2</sup> at 0° / 0.15m <sup>2</sup> at 15° 0.26m <sup>2</sup> at 30° / 0.35m <sup>2</sup> at 45° 0.42m <sup>2</sup> at 60°

## ACCESSORIES

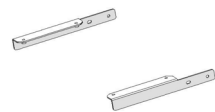
Aiming device: SF-AD



Front Visor: SF-FV (1 for 600W/750W,  
2 for 1200W/1500W, 3 for 1800W)



Driver bracket: SF-DB



Clamp Mount bracket: SF-CMB



## TECHNICAL INFORMATION

### Optical

Light source	OSRAM LED
CRI	Ra>70, Ra>80, Ra>90
CCT	3000K, 4000K, 5700K
Luminaire efficacy	Up to 145lm/W

### Electrical

Power consumption	600W - 1800W
Operating voltage & frequency	200-420VAC, 50/60 Hz
Power factor	> 0.97
Flicker	< 1%

Surge protection	20 KV (line-earth)
------------------	--------------------

### Environmental

IP rating	IP66
IK rating	IK08
Ambient temperature range	600W, 1200W, 1800W : -30°C to +50°C 750W, 1500W : -30°C to +40°C

Material Composition (body)	Aluminium alloy
-----------------------------	-----------------

Material Composition (bracket)	SPCC
--------------------------------	------

Material Composition (diffuser)	PC Lens + Tempered glass
---------------------------------	--------------------------

Corrosion Category	C5 (ISO 9223:2012) + 1500 hours salt spray test
--------------------	---

LED Lifespan	>100,000hrs @L80
--------------	------------------

Warranty*	5 years
-----------	---------

Data subject to change without notice  
 \* Refer to warranty policy

## COMPLIANCE

The enl-SF257 meets all relevant standards and regulatory requirements.



[www.enlighten.com.au](http://www.enlighten.com.au) | 1800 365 444



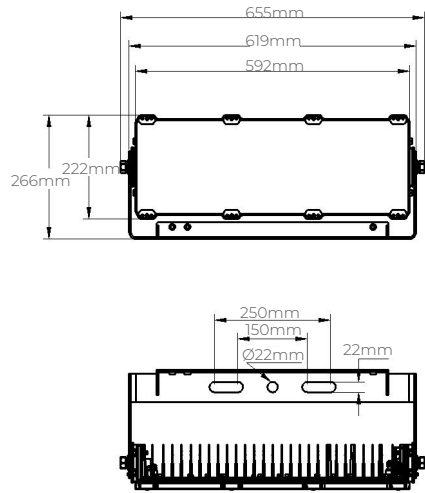
Ver 2

enLighten Australia Pty Ltd  
 3/12 Frederick St, St Leonards, NSW 2065

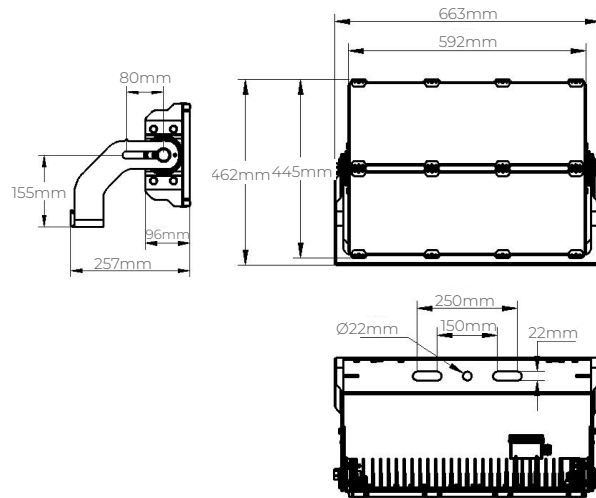
# SPORTS FLOODLIGHT enl-SF257

## DIMENSIONS

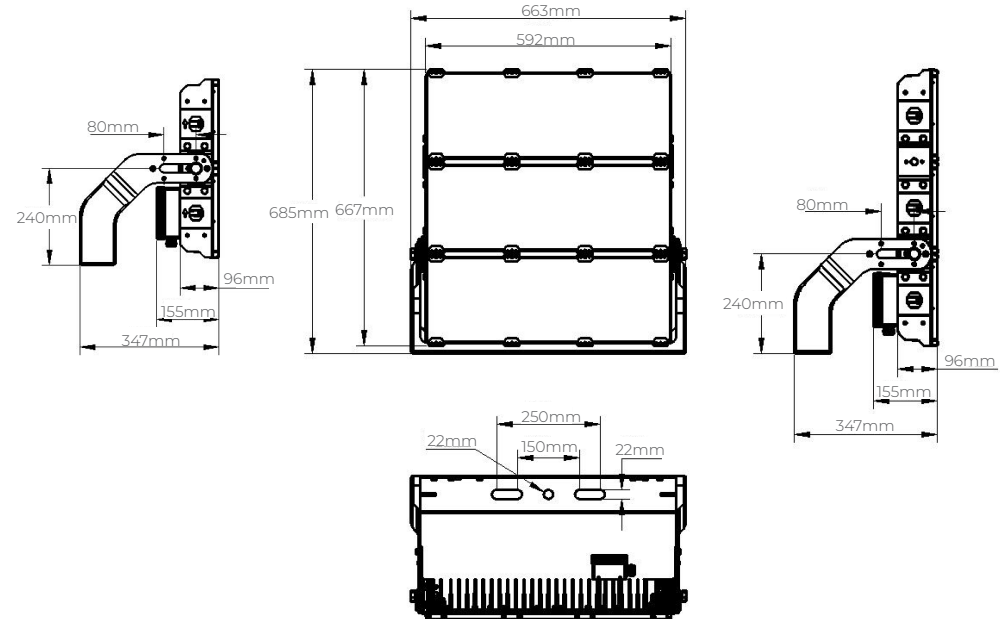
600W/750W



1200W/1500W



1800W



## COMPLIANCE

The enl-SF257 meets all relevant standards and regulatory requirements.

