

# DOWNLIGHT enl-DL450



The DL450 LED Downlight features both high lumen efficacy and a robust IP65 & IK10 protection. It comes in a variety of sizes suitable for where exposure to water could be an issue.

## FEATURES

- Efficacy up to 110lm/W
- IP65 - Weather protection
- IK10 - Impact resistance
- Supplied with 1.2m flex & plug

## OPTIONS

- Multiple Sizes (cut-outs)
- Multiple Optics (beam angles)
- Dali Controls



# DOWNLIGHT enl-DL450

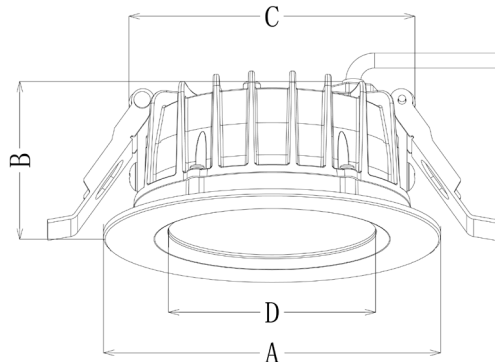


## PRODUCT RANGE

Model #	Rated Power (W)	Luminous Flux (lm)	Dimensions (mm)	Weight(kg)
enl-DL450-10-8yy-zz	10	1100	110(A) x 51(B) x 89(C) x 65(D)	0.4
enl-DL450-13-8yy-zz	13	1430	<b>Cut Out</b> : 90-95	
enl-DL450-18-8yy-zz-S	18	1980	150(A) x 64(B) x 124(C) x 99(D)	0.6
enl-DL450-25-8yy-zz-S	25	2750	<b>Cut Out</b> : 125-140	
enl-DL450-18-8yy-zz-M	18	1980	172(A) x 69(B) x 147(C) x 121(D)	0.8
enl-DL450-25-8yy-zz-M	25	2750	<b>Cut Out</b> : 150-165	
enl-DL450-30-8yy-zz	30	3300		1.3
enl-DL450-18-8yy-zz-L	18	1980	235(A) x 81(B) x 196(C) x 169(D)	
enl-DL450-25-8yy-zz-L	25	2750	<b>Cut Out</b> : 200-220	
enl-DL450-35-8yy-zz	35	3850		

yy stands for CCT. Use 30 for 3000K, 40 for 4000K, 50 for 5000K.  
 zz stands for Beam Angle. Use (10W/13W - 24, 36, 60, 75) (18W-35W - 24, 38, 60, 90)  
 DALI dimmable options available on request

## DIMENSIONS



## COMPLIANCE

The enl-DL450 meets all relevant standards and regulatory requirements.



## TECHNICAL INFORMATION

### Optical

Light source	LED
CRI	Ra>80
Beam Angle	24°, 36°, 38°, 60°, 75°, 90°
CCT	3000K, 4000K, 5000K
Luminaire Efficiency	Up to 110lm/W

### Electrical

Power consumption (W)	10 - 35
Operating voltage & frequency	220-240 VAC , 50/60 Hz
Power factor	>0.90

### Environmental

IP rating	IP65
Impact rating	IK10
Ambient temperature range	-20°C to + 45°C
Material Composition (body)	Aluminium Die-casting

**LED Lifespan** >54,000hrs @L70

**Warranty\*** 5 years

Data subject to change without notice  
 \* Refer to warranty policy

