

DOWNLIGHT enl-DL343



The DL343 LED Downlight is a compact design downlight that delivers a high lumen efficiency allowing for greater energy savings. It is designed for homes, offices, supermarkets, schools and hotels. It's aluminium housing grants IP54 for the front of the fitting as well as great thermal management.

FEATURES

- COB light source
- Efficacy up to 120lm/W
- IP54 - Weather protection
- Supplied with 1.2m flex & plug

OPTIONS

- Multiple Sizes (cut-outs)



DOWNLIGHT enl-DL343

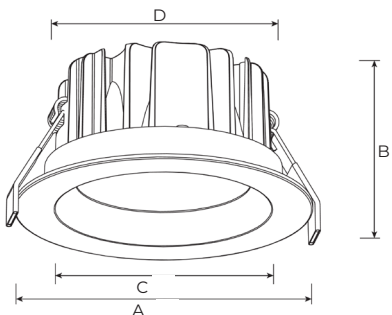


PRODUCT RANGE

Model #	Rated Power (W)	Dimmable	Luminous Flux (lm)	Dimensions (mm)	Cut Out (mm)	Weight (kg)
enl-DL343-10-xyy-110	10	Non-Dim	1250	Ø110(A) x 53(B) x 80(C) x 89(D)	90-95	0.4
enl-DL343-10-xyy-110-DALI		Dim	1200			
enl-DL343-18-xyy-145	18	Non-Dim	2300	Ø145(A) x 65(B) x 110(C) x 119(D)	120-130	0.8
enl-DL343-18-xyy-145-DALI		Dim	2200			
enl-DL343-25-xyy-190	25	Non-Dim	3200	Ø190(A) x 75(B) x 181(C) x 194(D)	160-170	1.1
enl-DL343-25-xyy-190-DALI		Dim	3000			
enl-DL343-30-xyy-225	30	Non-Dim	4000	Ø225(A) x 87(B) x 80(C) x 89(D)	200-210	1.5
enl-DL343-30-xyy-225-DALI		Dim	3800			

x stands for CRI. Use 8 for Ra>80 or 9 for Ra>90 (above data is of Ra>80)
 yy stands for CCT. Use 30 for 3000K, 40 for 4000K, 50 for 5000K.
 D stands for DALI Dimmable

DIMENSIONS



COMPLIANCE

The enl-DL343 meets all relevant standards and regulatory requirements.



TECHNICAL INFORMATION

Optical

Light source	LED
CRI	Ra>80 (Ra >90 Optional)
Beam Angle	60°
CCT	3000K, 4000K or 5000K
UGR	<19
Luminaire Efficiency	Up to 130lm/w

Electrical

Power consumption	25W
Operating voltage & frequency	220-240 VAC , 50/60Hz
Power factor	>0.90
Driver	Upshine

Environmental

IP rating	IP54 Below Ceiling, IP20 Inside Ceiling
Ambient temperature range	-20°C to + 45°C
Material Composition (body)	Aluminium Die-casting

LED Lifespan	>54,000hrs @L70
Warranty*	5 years

Data subject to change without notice
 * Refer to warranty policy

