

# DOWNLIGHT enl-DL343



The DL343 LED Downlight is a compact design downlight that delivers a high lumen efficiency allowing for greater energy savings. It is designed for homes, offices, supermarkets, schools and hotels. It's aluminium housing grants IP54 for the front of the fitting as well as great thermal management.

## FEATURES

- COB light source
- Efficacy up to 120lm/W
- IP54 - Weather protection
- Supplied with 1.2m flex & plug

## OPTIONS

- Multiple Sizes (cut-outs)



# DOWNLIGHT enl-DL343

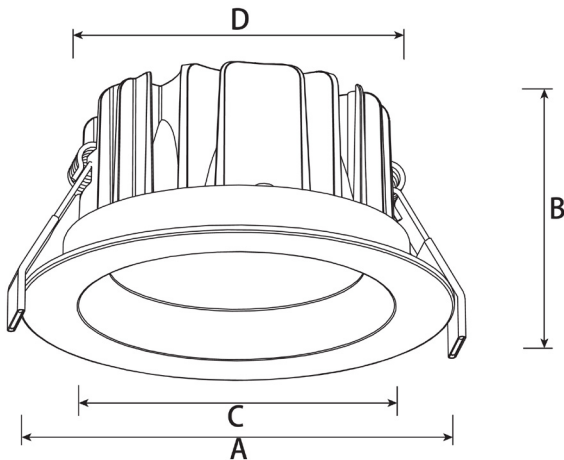


## PRODUCT RANGE

Model #	Rated Power (W)	Luminous Flux (lm)	Dimensions (mm)	Weight(kg)
enl-DL343-10-8yy	10	1100	110(A) x 53(B) x 80(C) x 89(D) <b>Cut Out</b> : 90-95	0.4
enl-DL343-18-8yy	18	1430	145(A) x 65(B) x 110(C) x 119(D) <b>Cut Out</b> : 120-130	0.9
enl-DL343-25-8yy	25	1980	190(A) x 75(B) x 150(C) x 159(D) <b>Cut Out</b> : 160-170	1.3
enl-DL343-30-8yy	30	2750	225(A) x 87(B) x 181(C) x 194(D) <b>Cut Out</b> : 200-210	1.7

yy stands for CCT. Use 30 for 3000K, 40 for 4000K, 50 for 5000K

## DIMENSIONS



## COMPLIANCE

The enl-DL343 meets all relevant standards and regulatory requirements.



## TECHNICAL INFORMATION

### Optical

Light source	LED
CRI	Ra>80
CCT	3000K, 4000K, 5000K
Luminaire Efficiency	Up to 120lm/w

### Electrical

Power consumption (W)	10W - 30W
Operating voltage & frequency	220-240 VAC , 50/60Hz
Power factor	>0.90

### Environmental

IP rating	IP54 Below Ceiling, IP20 Inside Ceiling
Ambient temperature range	-20°C to + 45°C
Material Composition (body)	Aluminium Die-casting

**LED Lifespan** >54,000hrs @L70

**Warranty\*** 5 years

Data subject to change without notice  
\* Refer to warranty policy