

CLEANROOM PANEL enl-CP384



The CP384 is an IP65 rated panel suitable for cleanroom where a fully water and dust proof environment is required.

FEATURES

- Supplied with 1.2m flex & plug
- Low Glare - UGR <19
- Designed to prevent build up of dust
- Tempered glass diffuser

OPTIONS

- Panel sizing options - 595x595mm or 295x1195mm
- Colour rendering options - CRI 80 or CRI 90



CLEANROOM PANEL enl-CP384

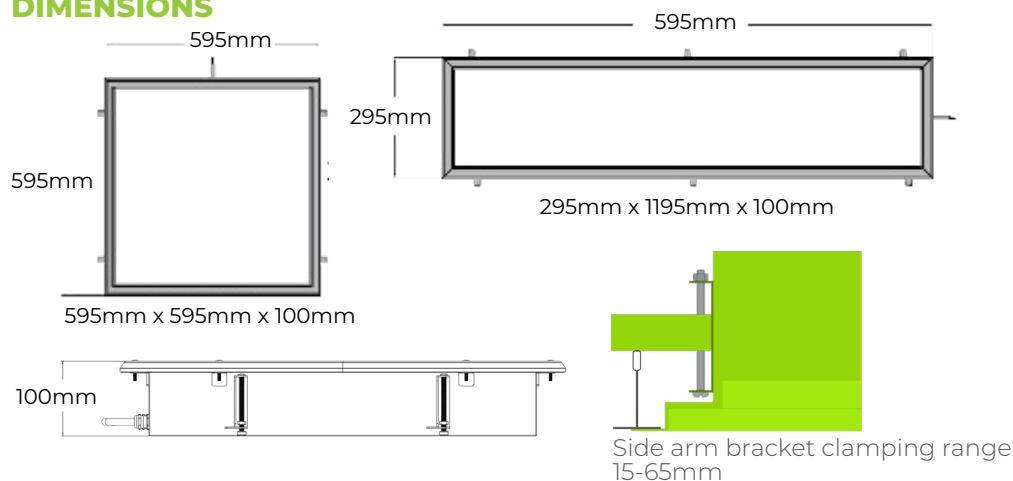


PRODUCT RANGE

Model #	CRI	Rated Power (W)	Luminous Flux (lm)	Dimensions(mm) (panel)	Cut Out (mm)	Weight (kg)
enl-CP384-30-8yy-595	80	30	3600	595x595x100	569 x 569	8.1
enl-CP384-30-8yy-1195				295x1195x100	269 x 1169	8.3
enl-CP384-36-8yy-595		36	4320	595x595x100	569 x 569	8.1
enl-CP384-36-8yy-1195				295x1195x100	269 x 1169	8.3
enl-CP384-30-9yy-595	90	30	2950	595x595x100	569 x 569	8.1
enl-CP384-30-9yy-1195				295x1195x100	269 x 1169	8.3
enl-CP384-36-9yy-595		36	3550	595x595x100	569 x 569	8.1
enl-CP384-36-9yy-1195				295x1195x100	269 x 1169	8.3

yy stands for CCT. Use 30 for 3000K, 40 for 4000K, 50 for 5000K

DIMENSIONS



COMPLIANCE

The enl-CP384 meets all relevant standards and regulatory requirements.



TECHNICAL INFORMATION

Optical

Light source	LED
CRI	Ra>80 or Ra>90
CCT	3000K, 4000K, 5000K
Beam Angle	90°
Lumen Efficacy	Up to 120lm/W

Electrical

Power consumption	30W or 36W
Operating voltage & frequency	220-240 VAC , 50/60Hz
Power factor	>0.9

Environmental

IP rating	IP65
Ambient temperature range	-25°C to + 40°C
Material Composition (body)	Aluminum
Diffuser Composition	Tempered Glass
Fixture Colour	White (RAL9016)

Expected Lifespan >54,000hrs @L70

Warranty* 5 years

Data subject to change without notice
* Refer to warranty policy