

HIGH BAY enl-HB680



The HB680 is a very high lumen efficacy LED High Bay that results in a lower powered light meeting your requirements. This robust and IP65 fixture is suitable for all warehouses and large undercover spaces.

FEATURES

- Efficacy up to 200lm/W
- IP65 - Weather protection
- IK08 - Impact resistance
- Supplied with 1.5m flex & plug

OPTIONS

- Multiple Sizes
- Multiple Optics (beam angles)
- Motion sensor option with 2 & 3 step dimming

ACCESSORIES

- Surface Mount Bracket



HIGH BAY enI-HB680



PRODUCT RANGE

Model #	Rated Power (W)	Luminous Flux (lm)	Dimensions (mm)	Weight(kg)
enI-HB680-60-7yy-zz	60	12000	Ø287 x 174	1.9
enI-HB680-80-7yy-zz	80	16000		
enI-HB680-100-7yy-zz	100	20000		
enI-HB680-120-7yy-zz	120	24000		
enI-HB680-150-7yy-zz	150	30000	Ø295 x 175	2.1
enI-HB680-200-7yy-zz	200	42000	Ø306 x 176	2.5

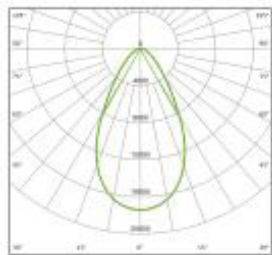
yy stands for CCT. Use 30 for 3000K, 40 for 4000K, 50 for 5000K.

zz stands for Beam Angle. Use 60, 90, 120.

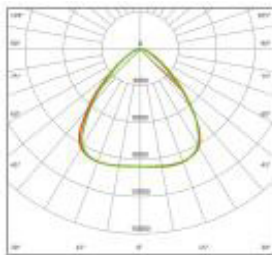
*Contact enLighten for model numbers for DALI-2 lighting options.

Microwave motion sensor models available. Add "-S" to model number

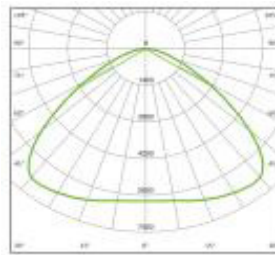
PHOTOMETRICS



150W 60°



150W 90°



150W 120°

TECHNICAL INFORMATION

Optical

Light source	LED
CRI	Ra>70
Beam Angle	60°, 90°, 120°
CCT	3000K, 4000K, 5000K
Luminaire efficacy	Up to 200lm/W

Electrical

Power consumption	60W - 200W
Operating voltage & frequency	220-240 VAC , 50/60 Hz
Power factor	>0.95

Environmental

IP rating	IP65
IK rating	IK08
Ambient temperature range	-30°C to + 40°C
Material Composition (body)	Aluminium Die-casting
Fixture Colour	Black(RAL9017)

LED Lifespan

>140,000hrs @L70
>85,000hrs @L80
>42,000hrs @L90

Controls - Optional

DALI-2

Warranty*

5 years

Data subject to change without notice
* Refer to warranty policy

COMPLIANCE

The enI-HB680 meets all relevant standards and regulatory requirements.



www.enlighten.com.au | 1800 365 444



Ver 7

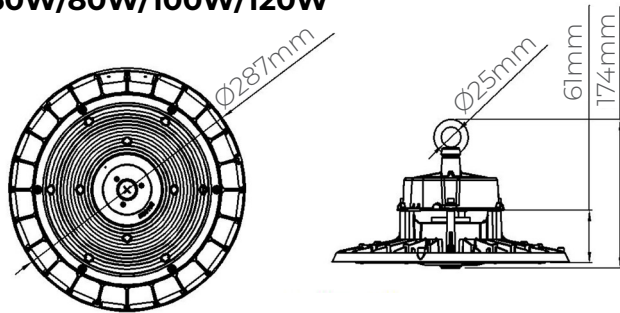
enLighten Australia Pty Ltd

3/12 Frederick St, St Leonards, NSW 2065

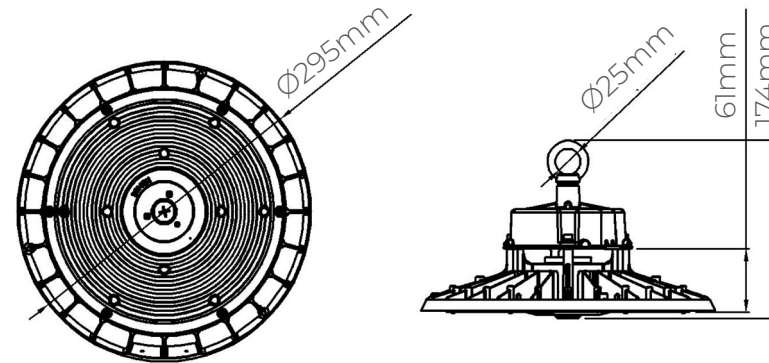
HIGH BAY enl-HB680

DIMENSIONS

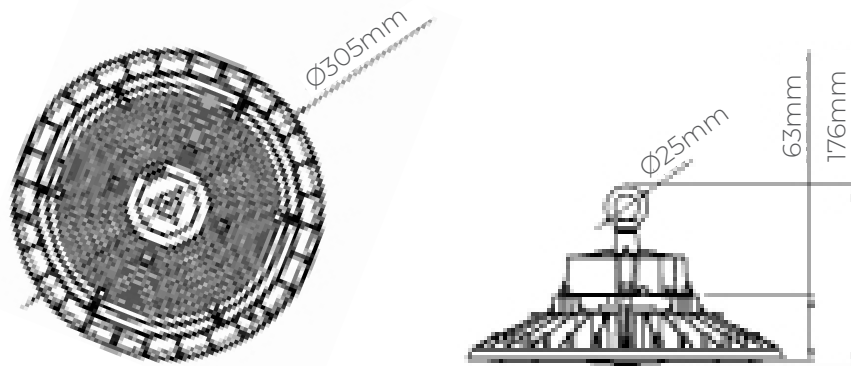
60W/80W/100W/120W



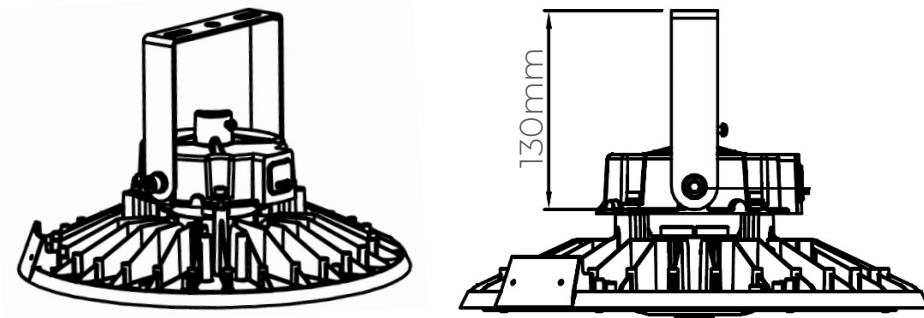
150W



200W



SURFACE MOUNT BRACKET



Item Number : enl-HB680Bracket

COMPLIANCE

The enl-HB680 meets all relevant standards and regulatory requirements.

