

DOWNLIGHT enl-DL343



The DL343 LED Downlight is a compact design downlight that delivers a high lumen efficiency allowing for greater energy savings. It is designed for homes, offices, supermarkets, schools and hotels. It's aluminium housing grants IP54 for the front of the fitting as well as great thermal management.

FEATURES

- COB light source
- Efficacy up to 120lm/W
- IP54 - Weather protection
- Supplied with 1.2m flex & plug

OPTIONS

- Multiple Sizes (cut-outs)



DOWNLIGHT enl-DL343

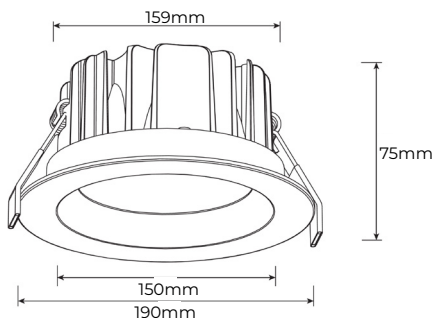


PRODUCT RANGE

Model #	Rated Power (W)	Dimmable	Luminous Flux (lm)	Cut Out (mm)	Weight(kg)
enl-DL343-10-xyy	10	Non-Dim	1250	90-95	0.4
enl-DL343-10-xyy-D		Dim	1200		
enl-DL343-18-xyy	18	Non-Dim	2300	120-130	0.8
enl-DL343-18-xyy-D		Dim	2200		
enl-DL343-25-xyy	25	Non-Dim	3200	160-170	1.1
enl-DL343-25-xyy-D		Dim	3000		
enl-DL343-30-xyy	30	Non-Dim	4000	200-210	1.5
enl-DL343-30-xyy-D		Dim	3800		

x stands for CRI. Use 8 for Ra>80 or 9 for Ra>90 (above data is of Ra>80)
 yy stands for CCT. Use 30 for 3000K, 40 for 4000K, 50 for 5000K.
 D stands for DALI Dimmable

DIMENSIONS



COMPLIANCE

The enl-DL343 meets all relevant standards and regulatory requirements.



TECHNICAL INFORMATION

Optical

Light source	LED
CRI	Ra>80 (Ra >90 Optional)
Beam Angle	60°
CCT	3000K, 4000K or 5000K
UGR	<19
Luminaire Efficiency	Up to 130lm/w

Electrical

Power consumption	25W
Operating voltage & frequency	220-240 VAC , 50/60Hz
Power factor	>0.90
Driver	Upshine

Environmental

IP rating	IP54 Below Ceiling, IP20 Inside Ceiling
Ambient temperature range	-20°C to +45°C
Material Composition (body)	Aluminium Die-casting

LED Lifespan >54,000hrs @L70

Warranty* 5 years

Data subject to change without notice
 * Refer to warranty policy

