

WALL LIGHT enl-WL820



The WL820 LED Wall Light offers a robust fitting featuring an asymmetrical light distribution, which allows for illumination without light pollution. Ideal for courtyards and building exteriors.

FEATURES

- Efficacy up to 140lm/W
- Aluminium housing for heat dissipation
- IP65 - Weather protection
- IK10 - Impact protection



WALL LIGHT enl-WL820

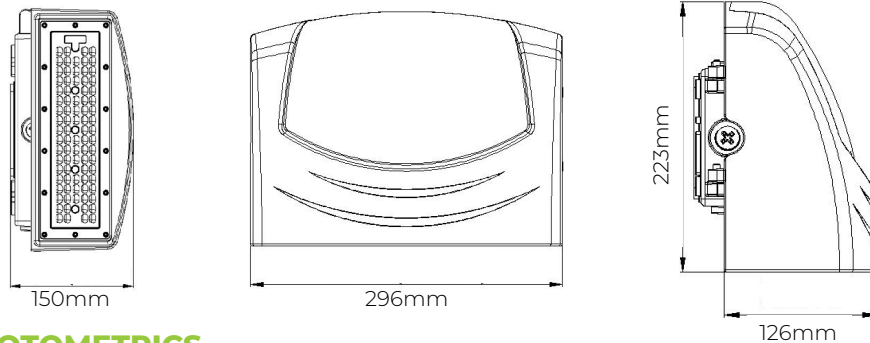


PRODUCT RANGE

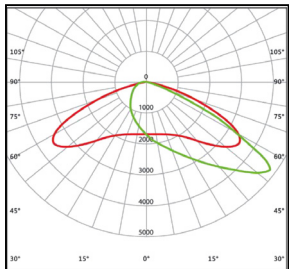
Model #	Rated Power (W)	Luminous Flux (lm)	Dimensions(mm)	Weight (kg)
enl-WL820-40-7yy	40	5600	296 x 150 x 223	4.6
enl-WL820-70-7yy	70	9800		

yy stands for CCT. Use 30 for 3000K, 40 for 4000K.

DIMENSIONS



PHOTOMETRICS



COMPLIANCE

The enl-WL820 meets all relevant standards and regulatory requirements.



TECHNICAL INFORMATION

Optical

Light source	LED
CRI	Ra>70
CCT	3000K, 4000K
Luminaire efficacy	Up to 140lm/W

Electrical

Power consumption (W)	40 or 70
Operating voltage & frequency	120-240 VAC , 50/60 Hz
Power factor	>0.9

Environmental

IP rating	IP65
IK rating	IK10
Ambient temperature range	-30°C to + 50°C
Material Composition (body)	Aluminium Alloy, Polycarbonate Optical Lens
Fixture Colour	Bronze

Expected Lifespan	>54,000hrs @L70
Warranty*	5 years

Data subject to change without notice
* Refer to warranty policy